



BT7513

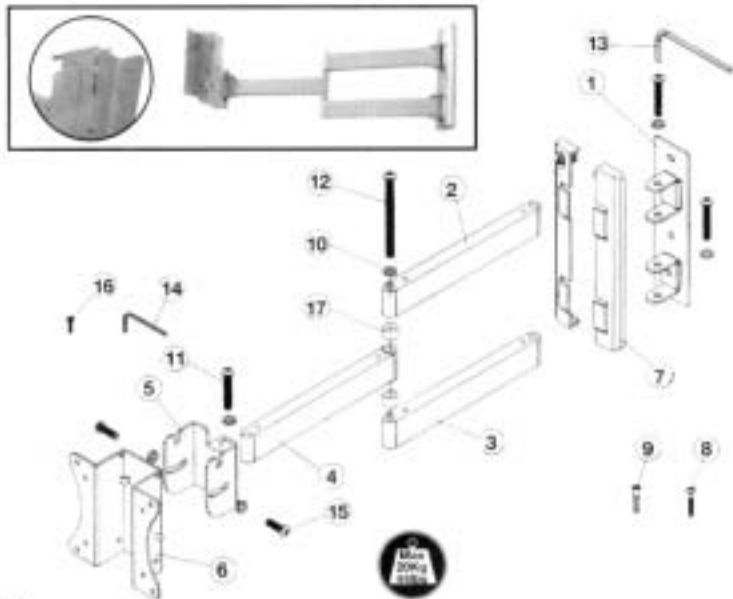
WALL MOUNT FOR LCD / TFT SCREENS

WITH ARTICULATED ARM

ASSEMBLY AND INSTALLATION

THIS PACK CONTAINS 1 WALL MOUNT.

PLEASE KEEP THESE INSTRUCTIONS FOR FUTURE REFERENCE.



Part Number	Part Name	Quantity	Number	Part Name	Quantity
1	WALL PLATE	1	9	WALL PLUG	3
2	TOP LONG ARM	1	10	WASHER	6
3	BOTTOM LONG ARM	1	11	M8 x 40mm ALLEN SCREW	3
4	SHORT ARM	1	12	M8 X 90mm ALLEN SCREW	1
5	SWIVEL BRACKET	1	13	M5 ALLEN KEY	1
6	VESA MOUNTING PLATE	1	14	ALLEN KEY	1
7	COVER PLATE (left & right)	1	15	M8 x 12mm ALLEN SCREW	2
8	WALL SCREW	3	16	M4 x 10mm VESA FIXING SCREW	4
			17	SPACERS	2

IMPORTANT : PLEASE PAY CAREFUL ATTENTION TO WHERE THIS MOUNT IS LOCATED. SOME WALLS ARE NOT SUITABLE FOR INSTALLATION. IF YOU INSTALL THIS MOUNT ON DRYWALL IT MUST BE ANCHORED INTO A WOOD STUD, CONCRETE BLOCK OR BRICK BEHIND THE DRYWALL. INSTALLING ON DRYWALL ALONE WILL NOT SUPPORT THE WEIGHT OF A MONITOR. WHEN DRILLING HOLES IT IS PARTICULARLY IMPORTANT TO TAKE CARE OF ELECTRICAL CABLES, WATER OR GAS PIPES IN THE WALL. IT IS IMPORTANT THAT ALL FIXING SCREWS SUPPLIED ARE USED.

B-TECH INTERNATIONAL LTD. ITS DISTRIBUTORS AND DEALERS ARE NOT RESPONSIBLE FOR DAMAGE OR INJURY CAUSED BY IMPROPER INSTALLATION.

COPYRIGHT 2004 B-TECH INTERNATIONAL LTD

WWW.B-TECH-INT.COM

