

50" CLASS (49.9" DIAGONAL)

50PG20C

42" CLASS (41.5" DIAGONAL)

42PG20C

PLASMA TV

Plasma Widescreen Commercial HDTV



NEW! 4 POWER SAVING LEVELS

IMPROVED! LIFE SPAN
100,000 hours (approximate)
To half brightness (typical)

NEW! INVISIBLE SPEAKER SYSTEM
no visible speaker grilles

BUILT-IN TUNER
ATSC/NTSC/Clear QAM

PUBLIC DISPLAY SETTINGS
Cloning capable with
optional TVLink-Loader, TLL-1100A

NATIVE DISPLAY RESOLUTION
1365 x 768 (50PG20C)
1024 x 768 (42PG20C)

IMPROVED! DYNAMIC CONTRAST RATIO
30,000:1

HIGH BRIGHTNESS
1500 cd/m²

IMPROVED! LG'S EXCLUSIVE DUAL XD ENGINE®

NEW! ISF_{ccc} CALIBRATION READY

NEW! FLUID MOTION
180Hz Effect

IMPROVED! 3 HDMI™ INPUTS WITH HDCP
(V.1.3 with Deep Color)

RoHS AND ENERGY STAR® COMPLIANT

HIGH-GLOSS BLACK CABINET
Slim Depth (3.4"/86mm)

2-YEAR LIMITED WARRANTY
(parts/labor)

www.LGcommercial.com



DUAL XD[®] ENGINE

Combines two of LG's exclusive XD Engines to help maximize picture quality for any kind of video content. By combining XD Engine processors, panel performance is optimized providing higher-quality, more realistic images.

INTELLIGENT CONTRAST IMPROVES LOW RESOLUTION LEVELS, BLACK AND WHITE SATURATION AND COLOR COMPENSATION RELATED TO DYNAMIC CONTRAST USING A HISTOGRAM DEVELOPED FOR LOW PEAK LEVELS.

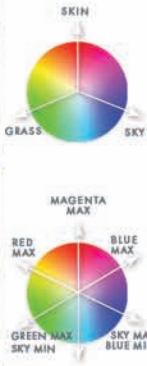


Dramatization

FRESH COLOR SKIN, GRASS AND SKY COLORS ARE OPTIMIZED TO THE NEAREST TRUE COLOR.



Dramatization



OPTIONAL ACCESSORIES



TLL-1100A TVLink-Loader

By using the handheld, rechargeable TVLink-Loader, the installer can "clone" the Public Display Settings from one TV and then transfer this information quickly to many other TVs that have this feature.

FEATURE

Public Display Settings	
Public Display Mode	No
Start Channel	No
Ch. Type	TV
Major	2
Minor	0
Minimum Volume	0
Maximum Volume	100
Start Volume	No
Level	20
Power Management	No
Setting	1
Key Management	0
Factory Reset	0
Aspect Ratio	0

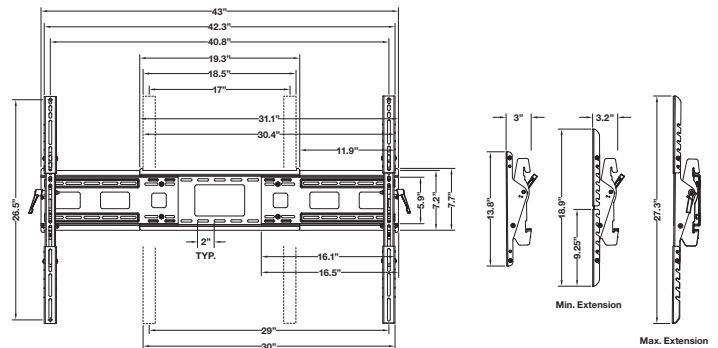
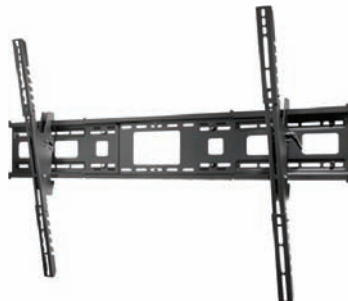
PUBLIC DISPLAY SETTINGS

CLONING CAPABLE with optional TVLink-Loader, TLL-1100A

When used in public areas, these HDTVs can be easily programmed by the installer to have the TV turn on at a specified channel/volume level, set the minimum/maximum volume, lock out the control panel/remote, set the aspect ratio, and return to a factory reset. By using Power Management, these displays can be programmed to turn off if there has been no activity (remote or control panel buttons) for a preset time (1-7) hours.

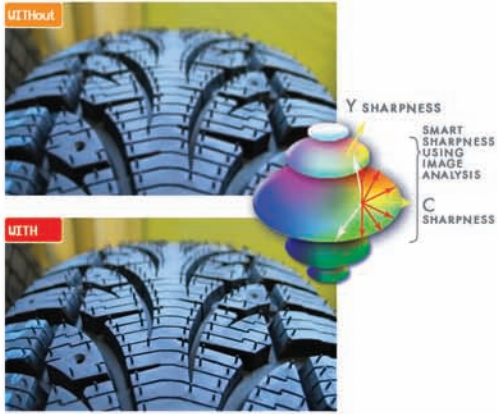
PWMT300 FIXED OR TILTING WALL MOUNT

- Fits most LG 23" to 60" flat panel screens
- Easily expandable adapter brackets and wall plate
- Adjustable tilt of +15°/-5° for viewing flexibility
- Intuitive design for easy installation
- Security and standard screws included
- Landscape mounting for hole patterns up to 41" (W) x 26.37" (H)
- Portrait mounting for hole patterns up to 26.5" (W) x 17" (H)
- For mounting to wood studs, solid concrete, or cinder block only



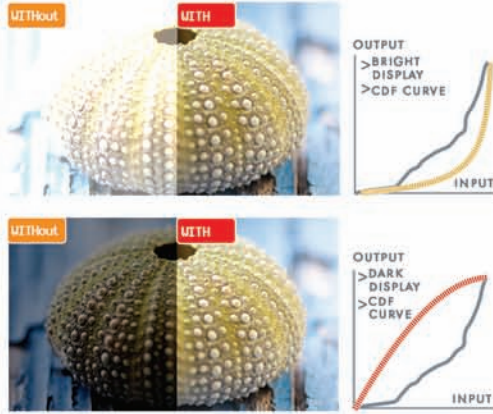
The PWMT300 is a Peerless[®] mount that is available for order at LG Electronics USA, Inc.

EDGE DETECTION TECHNOLOGY
REALIZES NOISE-FREE SHARPNESS.



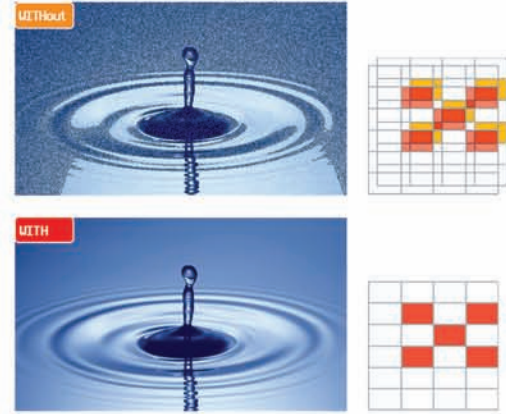
Dramatization

DYNAMIC BLACK STRETCH
THE MINIMUM BLACK LEVEL OF AN IMAGE IS AUTOMATICALLY DETECTED AND ADJUSTED ACCORDING TO BRIGHTNESS.



Dramatization

CLEAR SCREEN
USING THE NOISE FILTER INSIDE THE XD ENGINE CHIP, THE IMAGE IS ANALYZED FOR TEMPORAL AND SPATIAL INFORMATION TO REDUCE MPEG NOISE.



Dramatization

4 POWER SAVING LEVELS
By selecting 1 of 4 levels of brightness, a reduction in power consumption is achieved resulting in energy savings and lower costs.

50PG20C in Vivid Mode

	BRIGHTNESS (cd/m ²)	*POWER CONSUMPTION (Watts)
Level 0	207	334W
Level 1	98% of Level 0	95% of Level 0
Level 2	75% of Level 0	81% of Level 0
Level 3	63% of Level 0	72% of Level 0
Level 4	50% of Level 0	62% of Level 0

42PG20C in Vivid Mode

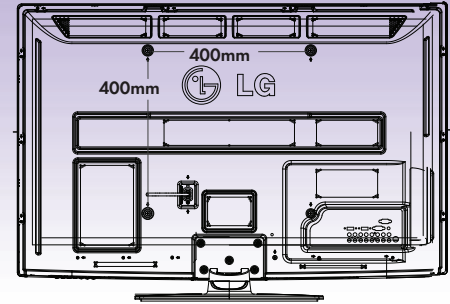
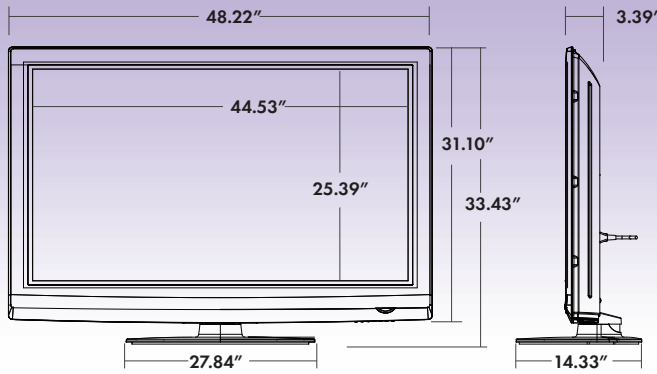
	BRIGHTNESS (cd/m ²)	*POWER CONSUMPTION (Watts)
Level 0	223	262W
Level 1	97% of Level 0	94% of Level 0
Level 2	78% of Level 0	81% of Level 0
Level 3	67% of Level 0	72% of Level 0
Level 4	52% of Level 0	62% of Level 0

*Power consumption was measured using IEC62087 dynamic broadcast - content video signal

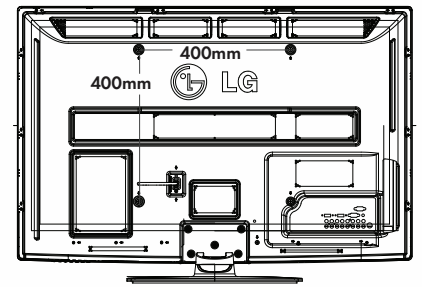
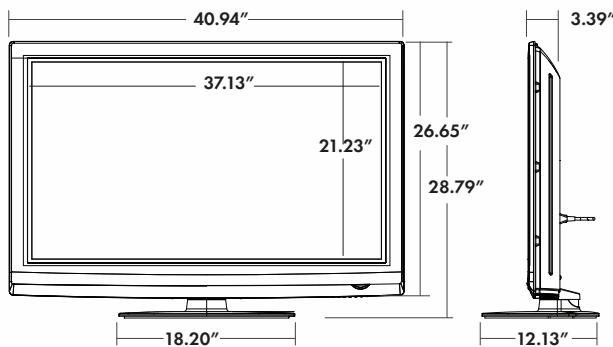
Note: These models have a ± 5% deviation from unit to unit

DIMENSIONS

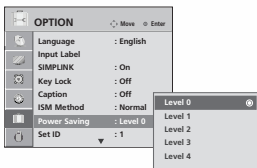
50PG20C



42PG20C



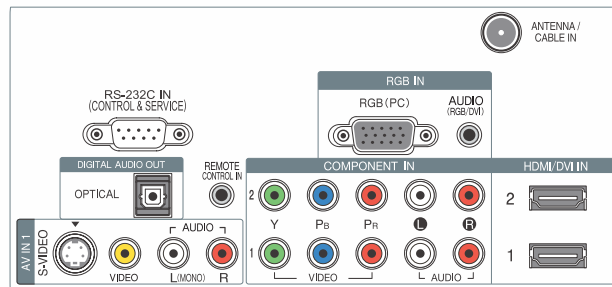
MENU SELECTABLE



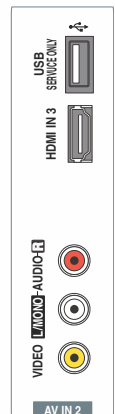
REMOTE CONTROL



REAR JACK PANEL



SIDE JACK PANEL



50PG20C 50" CLASS (49.9" DIAGONAL)
 42PG20C 42" CLASS (41.5" DIAGONAL)

SPECIFICATIONS

PLASMA MODULE

PDP Panel Type	42" (42PG20C) / 50" (50PG20C)
Display Area	41.5" (42PG20C), 49.9" (50PG20C)
Native Display Resolution	1024x768 (42PG20C) 1365x768 (50PG20C)
Dynamic Contrast Ratio	30,000:1
Brightness	1,500 cd/m ²
Fluid Motion (180Hz Effect)	Yes, Ensures a smoother cleaner picture
Life Span (approx.)	100,000 hours to half brightness
Filter Type	Anti-reflective screen
Viewing Angle (H/V)	178°/178°

VIDEO

ATSC/NTSC/Clear QAM Tuner	Built-in
Digital Comb Filter	3D
Color Temperature Adjustment	3 Modes
24p Cinema (Film Mode)	2:2, 3:2 pull-down
Aspect Ratio Adjustment	6 Modes
Picture Preset Modes	7 Modes
Dual XD Engine	Yes
Aspect Ratio	16:9
Black Stretcher (Black Level Enhancer)	Yes
Just Scan (1:1 Pixel matching)	HDMI 1080p/1080i/720p Component 1080p/1080i/720p RF 1080i/720p
DTV Signal Strength Indicator	Yes
Color Reproduction	10-bit Chassis Output
Enhanced Noise Reduction	Yes (3D & MPEG)
Enhanced Line Doubler	Yes
Picture Reset	Yes
Image Sticking Minimization	White Wash, Pixel Orbiter, Inversion
XD Color	Yes (Active Color Management)
DLTI (Digital Luminance Transient Improver)	Yes
DCTI (Digital Color Transient Improver)	Yes
AV Mode (Picture and Sound)	Yes (Cinema, Sports, Game)
ISFccc Calibration Ready	Yes

REAR INPUTS

Antenna/Cable In (RF)	1
HDMI with HDCP (DVI with Adapter)	2 (V.1.3 with Deep Color)
Composite Video & Audio L/R In	1
Component HD/DVD & Audio L/R In	2
RGB In (15-pin female mini D-Sub) - PC	1
PC Audio In	1
RS-232C In (9-pin male D-Sub)	1 (Control/Service)
Remote Control In (IR)	1
S-Video In	1

REAR OUTPUTS

Digital Audio Out (Optical)	1
-----------------------------	---

SIDE INPUTS

Composite Video & Audio L/R In	1
HDMI In	1 (V.1.3 with Deep Color)
USB (2.0)	1 (Service Only)

UPC

42PG20C	7 19192 17372 9
50PG20C	7 19192 17373 6

AUDIO

Audio Output Power (THD 10%)	10W + 10W
Invisible Speaker System	Yes (No visible speaker grilles)
Speaker System Details	2 Way 4 Speakers
Surround System Type	SRS TruSurround XT™
Mono/Stereo/Dual (MTS/SAP)	Yes
Sound Selection Mode	5 Modes
Mute	Yes
AVL (Auto Volume Leveler)	Yes
Bass/Treble/Balance	Yes
Dolby Digital Decoder	Yes

POWER

4 Power Savings Levels	Yes
Power Consumption (typ.)	410 W (measured with static image pattern) (50") 334 Wh (measured with video signal - IE62087 dynamic broadcast) (50") 320 W (measured with static image pattern) (42") 262 Wh (measured with video signal - IE62087 dynamic broadcast) (42")
Power Requirement	AC 100-240V~50/60 Hz

SPECIAL FEATURES

Public Display Settings	Yes (9 settings)
SimpLink™ (HDMI CEC)	Yes
Custom Input Labels	Yes
Program Guide Type	Brief Info
Trilingual Menus	English, Spanish, French
EZ Menus	Yes
Auto Channel Programming	Yes
AV Input Navigation	Yes
Quick Setup Guide	Yes
Favorite Channel	Yes
Channel Add/Delete	Yes
Clear Voice	Yes
Quick View(Flashback)	Yes
Closed Caption	Yes
Parental Control w/V-Chip	Yes
On/Off Timer	Yes
Sleep Timer	Yes (10 min. to 240 min.)
Auto Off (when no video is present)	Yes (After 10 minutes)
Auto and Manual Clock	Yes
Key Lock	Yes
1080p Source Input	HDMI 60p/30p/24p Component 60p/30p/24p RGB 60p

CABINET

	42PG20C	50PG20C
Dimensions	with Stand (W×H×D) 40.94"×28.79"×12.13" without Stand (W×H×D) 40.94"×26.65"×3.39" packaging (W×H×D) 52.36"×30.39"×10.11"	48.22"×33.43"×14.33" 48.22"×31.10"×3.39" 52.36"×39.84"×18.11"
Weight	with Stand 58.2 lbs (26.4 Kg) without Stand 53.7 lbs (24.4 Kg) with packaging 69.7 lbs (31.6 Kg)	91.51 lbs (472 Kg) 84.01 lbs (38.1 Kg) 111.57 lbs (50.6 Kg)
Cabinet Style	Table Top	
Table Stand Included	Fixed (Detachable)	
Cabinet Color	High Gloss Black	
Stand Color	High Gloss Black	
VESA™ Compatible	400mm × 400mm, M6	
Power Button	Red (Stand-by); Blue (On)	
Cable Management Clip	Yes	

OPERATING ENVIRONMENTS

Storage Temperature Range	-4° F to 140° F (-20° C to 60° C)
Storage Humidity Range	under 85%
Altitude	Up to 9,514 feet (2,900m)
Operating Temperature	32° F to 104° F (0° C to 40° C)
Operating Humidity Range	under 80%

COMPATIBLE FORMATS

HDTV, NTSC, VGA, SVGA, XGA, WXGA	Yes
Max Computer Resolution (RGB)	1360 x 768

REQUIRED APPROVALS

UL, c-UL, FCC	Yes
RoHS Compliant	Yes
ENERGY STAR Compliant	Yes (under 1 Watt in standby)

SERVICE/LIMITED WARRANTY

Limited Warranty	2 Years Parts/Labor
------------------	---------------------

SUPPLIED ACCESSORIES

Owners Manual, Power Cord (6 foot), LG Universal Remote Control

www.LGcommercial.com



LG Electronics U.S.A., Inc.
 Commercial Products Division
 2000 Millbrook Drive,
 Lincolnshire, IL 60069

Customer Service: 888.865.3026

Contact your LG Regional Sales Representative:
 B2B: 800.897.8788
 Hospitality: 800.228.1236
 Channel Markets: 800.897.8871

SPEC_50-42PG20C_040801_PR



All screen images are simulated. Dimensions and weights are approximate. Design, features and specifications subject to change without notice.

© Copyright 2008 LG Electronics USA, Inc. All Rights Reserved. "LG Life's Good" is a registered trademark of LGCorp. Dual XD Engine is a trademark of LGElectronics USA, Inc. VESA is a trademark of Video Electronics Standards Association. Dolby and the double-D symbol are registered trademarks of Dolby Laboratories. SRS and the SRS symbol are registered trademarks of SRS Labs, Inc. in the U.S. and selected foreign countries. TruSurround XT is a trademark of SRS Labs, Inc. ENERGY STAR is a registered trademark of the U.S. Environmental Protection Agency. All other corporate and brand names are trademarks of their respective owners.

Printed in the USA. August 2008