

# MITSUBISHI ELECTRIC

MULTIMEDIA DATA/VIDEO PROJECTORS

Our New Standard... Their New Benchmark...  
Engineered for Richer Colors and Long-life Performance.

Long Life lamp  
4000 hrs

**ONE YEAR LAMP WARRANTY!**



**NEW**

PICTURE BY **DLP** TEXAS INSTRUMENTS

Mobile XGA projector

# EX51U

### Functional Performance at its best

- ▶ 2600 ANSI Lumens of outstanding brightness
- ▶ 2000:1 Rich contrast ratio
- ▶ Super low noise operation at 29dBa
- ▶ Center lens design for symmetrical installation
- ▶ Splash screen and wall screen support
- ▶ Audio and video inputs for computers and video sources

### A Better Investment with a Lower Cost of Ownership

- ▶ Long-life lamp of 4,000hours
- ▶ Top-access lamp cover for easy replacements
- ▶ Filter-free design
- ▶ Enhance security features with reinforced anchor bars and password protection
- ▶ Time-saving instant shut down feature



Top Access Lamp Cover



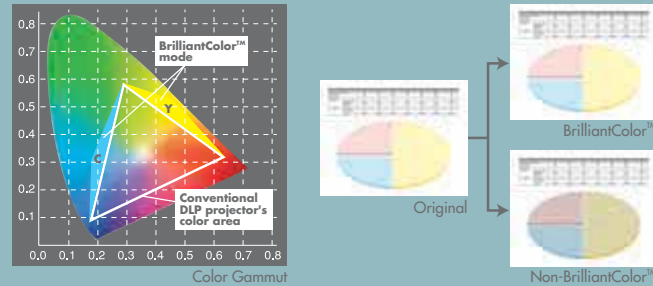
Splash screen

### BrilliantColor™ Technology and Mitsubishi's Engineering Performance Yields Superior Color Performance

BrilliantColor™ Technology is the latest innovation in producing richer and more vibrant colors. At Mitsubishi, we developed a 6-segment color wheel that is RGBWYC, apart from the regular red, green, blue and white, we added the yellow and cyan segments to display a wider color spectrum. In addition, we also coded our color algorithms to offer emphasis on brightness or color modes, all designed to cater to the environment where the EX51U will be used for.

Together with selective lamp powered modulation techniques, the EX51U with BrilliantColor™ Technology acts intelligently to boost colors that are prone to show darker or saturated, improving the overall intensity of the displayed images. For instance, where there is a need to project vivid images in an already bright screen, the lamp is programmed to provide brighter colors where it is necessary to make the displayed image more vibrant. In contrast, when the objective of the display is to deliver an image with emphasis on genuine color reproduction, the algorithm will deliver just the right colors with the appropriate radiance.

\*BrilliantColor is a trademark of Texas Instruments.

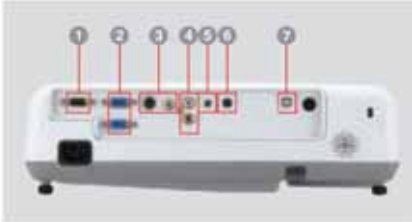




Mobile XGA projector

# EX51U

### Input and Output Terminals



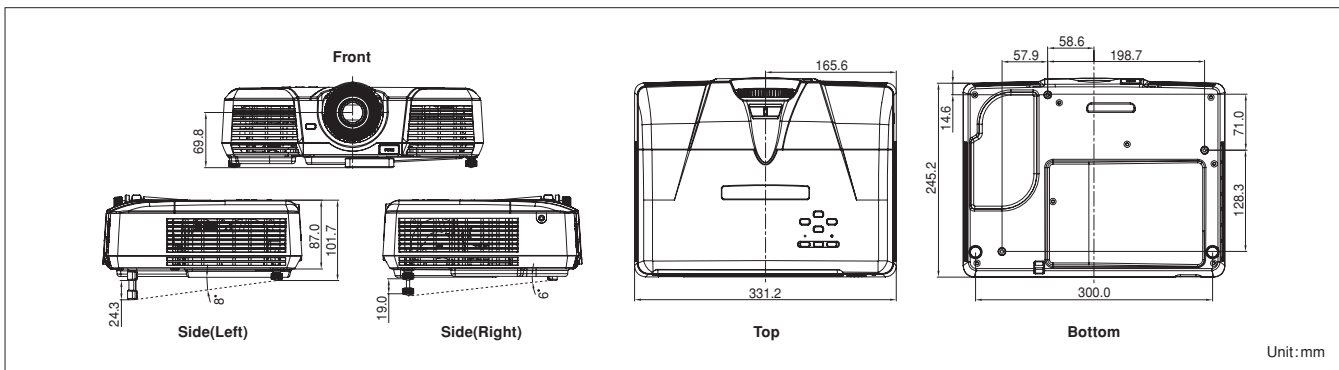
- 1 PC / Component Video output
- 2 PC / Component Video input (mini D-sub 15pin)
- 3 S-Video / RCA
- 4 Audio input [RCA jack (L/R)]
- 5 Audio input (stereo mini jack)
- 6 Audio output
- 7 USB terminal for Page Up/Down

### Specifications

Model	EX51U
Display technology	0.55"1-Chip DMD, 12 Deg. LVDS, DDP2230
Resolution	1024 x 768 (total 786,432 pixels)
Brightness	2600lm
Contrast	2000:1
Throw Ratio	1.62 ~ 1.96
Picture Size	40"~300"
Source lamp	180W (Shut Off Time 4000Hrs) with Low Mode 230W (Shut Off Time 2000Hrs)
Computer compatibility	640 x 480 ~ 1280 x 1024 (Comp.) include WXGA True: 1024 x 768, Sync on green available
Video compatibility	NTSC / NTSC4.43 / PAL (including PAL-M, N) / SECAM/PAL-60, Component Video : 480i/p (525i/p), 576i/p (625i/p), 720p (750p), 1080i (1125i 60Hz), 1080i (1125i 50Hz)
Input terminals	RGB : mini D-sub15pin x 2, Video : RCA x 1 + S-video x 1 Audio : stereo mini jack (φ3.5mm) x 1, RCA jack (L/R) x 1
Output terminals	RGB : mini D-sub15pin x 1, Audio : stereo mini jack (φ3.5mm) x 1
Communication terminals	USB terminal for Page Up/Down x 1
Audio speaker	2W mono
Fan noise	29dba (Low Mode)
Dimensions(WxHxD)	13.1 x 4.0 x 9.8" (excluding height adjustment)
Weight	2.9kg / 6.5lbs
Power supply	AC100-240V, 50/60Hz
Optional lamp	VLT-XD510LP

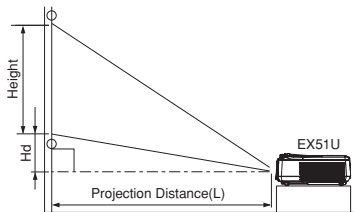
\*All brand names and product names are trademarks, registered trademarks or trade names of their respective holders.

### Dimensions



### Screen size and Projection distance

As seen from the side



Screen size chart

Diagonal size	Screen (4:3 aspect ratio)				Distance from screen (L)				Height projected image (Hd)		
	Width (W)	Height (H)	Shortest	Longest	Shortest	Longest	Shortest	Longest	inch	cm	
40	102	32	81	24	61	51	1.3	62	1.6	1.8	5
60	152	48	122	36	91	77	2.0	94	2.4	2.7	7
80	203	64	163	48	122	103	2.6	125	3.2	3.6	9
100	254	80	203	60	152	129	3.3	157	4.0	4.5	11
150	381	120	305	90	229	195	4.9	236	6.0	6.8	17
200	508	160	406	120	305	260	6.6	315	8.0	9.0	23
250	635	200	508	150	381	326	8.3	394	10.0	11.3	29
300	762	240	610	180	457	391	9.9	-	-	13.5	34

The above numbers are approximate, and may be slightly different from the actual measurements.



PRESENTATION PRODUCTS

**MITSUBISHI DIGITAL ELECTRONICS AMERICA, INC.**

Presentation Products Division  
Toll Free: 888.307.0349  
Email: [ppdinfo@mdea.com](mailto:ppdinfo@mdea.com)  
[www.mitsubishi-presentations.com](http://www.mitsubishi-presentations.com)

Canada  
Mitsubishi Electric Sales Canada Inc.  
Information Technologies Group  
Phone: 905.475.7728  
[www.mitsubishielectric.ca](http://www.mitsubishielectric.ca)

©2008 Mitsubishi Digital Electronics America, Inc. Standard features, options and specifications subject to change without notice. All trademarks are the property of their respective holders. \*The projector lamp contains mercury. Please dispose of properly.

