

MITSUBISHI ELECTRIC

MULTIMEDIA DATA/VIDEO PROJECTORS

Changes for the Better



For Education

For Business

Stylish, Ergonomic Design...
Loaded with cutting-edge functionality

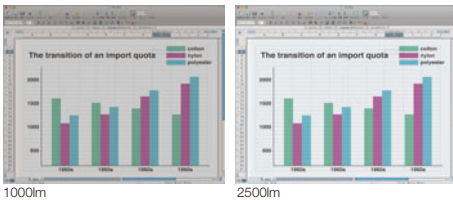
NEW Mobile XGA Projector
HDMI™ EX240U
HIGH DEFINITION MULTIMEDIA INTERFACE



3 Major Functions

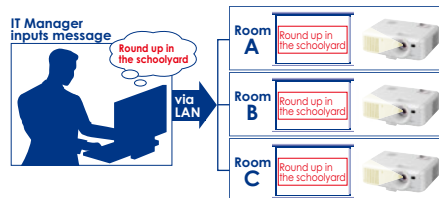
1 A light 2.4kg, 2500lm brightness

The EX240U weighs in at a light 2.4kg for excellent portability, and offers an impressive projection brightness of 2500lm. Whether used in a meeting room or classroom, clear images are reproduced even with ambient light.



2 Network Connectivity

The EX240U is equipped with a built-in LAN(RJ-45) terminal for remote operation when connected to a network. Additionally, when used with Crestron® software, integrated control of up to 250 projectors including power on/off control, message display on multiple projectors and confirmation of lamp service hours is possible using RoomView™/e-Control™ applications.



3 3D READY – Enjoy the future today

Experience the impact and allure of 3D images. The 3D video content must be in field sequential format and special electronic shutter glasses are required.



More Functions

- Silent 29dBA Operation (Low Mode)
- Wall Screen
- Direct Power Off
- Top-loading lamp*1

*1: A lamp replacement attachment is included to prevent the lamp from being dropped during replacement.

- Long 4,000hr*2 Lamp Life

*2: When used in low lamp mode. Maximum lamp life in standard mode use is 3,000 hours. It's an estimated life time and the lamp is to be shut off upon the arrival. Lamp life refers to the average time required for brightness to be reduced by half, and not the time specified in the warranty. Lamp service life may vary widely depending on the environment and conditions, and whether or not cleaning and other maintenance procedures are followed.



Top-loading lamp

- Stand-by Mode under 1W*3

*3: When LAN control is set to RS-232C, and "Stand-by Audio Out" and "Stand-by Monitor Out" are set to "Off."

- BrilliantColor™*4 (6-segment color wheel) Adopted

*4: BrilliantColor is a trademark of Texas Instruments.

- 18-language On-screen Display Capable
- Closed Caption (CC) Capable
- Dual RGB Input Terminal

NEW



EX240U

Mobile XGA Projector

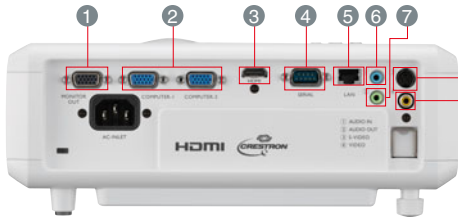
Specifications

Model	EX240U
Display Technology	0.55" 1-Chip DMD
Resolution	1024 x 768 (Total 786,432 pixels)
Brightness	2500lm
Contrast Ratio	2000 : 1
Picture Size**	40" - 300"
Throw Ratio**	1.9 - 2.1
Source Lamp	160W (4000hr*) with Low Mode, 185W (3000hr*) with Standard Mode
PC Compatibility	640 x 480 - 1600 x 1200, True : 1024 x 768, Sync on Green available
Video Compatibility	NTSC / NTSC 4.43 / PAL (including PAL-M, N) / SECAM / PAL-60 Component Video ; 480i/p (525i/p), 576i/p (625i/p), 720p (750p), 1080i/p (1125i/p 60Hz), 1080i/p (1125i/p 50Hz)
Input Terminals	RGB ; mini D-sub 15pin x 2 Video ; RCA x 1 + S-VIDEO x 1 Digital ; HDMI (Ver1.2) x 1 Audio ; Stereo mini jack (ø3.5mm) x 1
Output Terminals	RGB ; mini D-sub 15pin x 1 Audio ; Stereo mini jack (ø3.5mm) x 1
Communication Terminal	RS-232C; D-Sub 9pin x 1 LAN ; RJ-45 x 1
Speaker Output	2W Mono
Dimensions (W x H x D)	282 x 94 x 229 mm / 11.1 x 3.7 x 9.0 inch (Not including protrusion)
Weight	2.4kg / 5.3lbs
Power Requirements	AC 100-240V, 50/60Hz
Optional Lamp	VLT-EX240LP

• Compliance with ISO21118-2005
 • All brand names and product names are trademarks, registered trademarks or trade names of their respective holders.
 *1: Value may vary a few percent from that listed in the chart.
 *2: It's an estimated life time and the lamp is to be shut off upon the arrival. And it's not the time specified in the warranty.
 *3: The above numbers are approximate, and may be slightly different from the actual measurements.

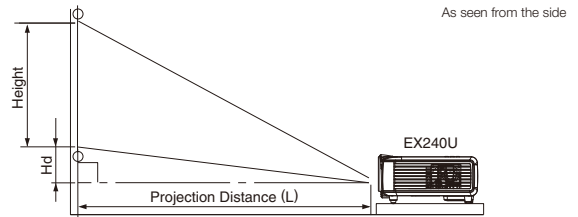
Brilliant Color™	Wall Screen	Password Lock	Direct Power Off	Long-life Lamp	Low Standby Power	Picture Performance
Top Loading Lamp	Closed Caption	Low Fan Noise	LAN (RJ-45)	HDMI		User Friendly

Input and Output Terminals



- 1 Monitor output
- 2 PC/Component video input
- 3 HDMI
- 4 Serial RS-232C
- 5 LAN (RJ-45)
- 6 Audio input
- 7 Audio output
- 8 S-Video
- 9 Video

Screen size and Projection distance



Screen size chart (4:3 aspect ratio)

Screen		Distance from screen (L)				Height projected image (Hd)					
Diagonal Size		Width (W)		Height (H)		Shortest (Wide)		Longest (Tele)		Height projected image (Hd)	
inch	cm	inch	cm	inch	cm	inch	m	inch	m	inch	cm
40	102	32	81	24	61	60	1.5	66	1.7	2	6
60	152	48	122	36	91	90	2.3	99	2.5	4	9
80	203	64	163	48	122	120	3.0	132	3.4	5	12
100	254	80	203	60	152	150	3.8	165	4.2	6	15
150	381	120	305	90	229	225	5.7	247	6.3	9	23
200	508	160	406	120	305	300	7.6	330	8.4	12	30
250	635	200	508	150	381	375	9.5	412	10.5	15	38
300	762	240	610	180	457	450	11.4	-	-	18	46

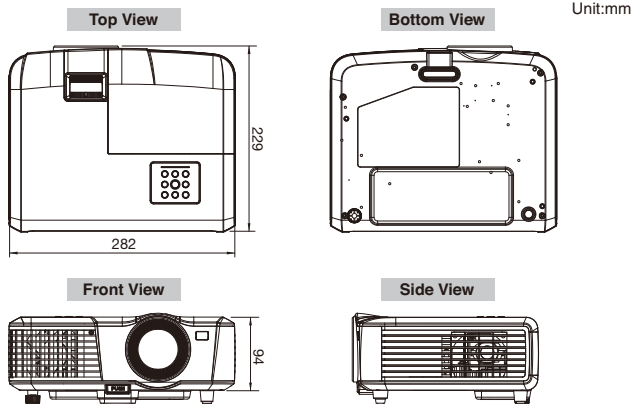
The above numbers are approximate, and may be slightly different from the actual measurements.

Screen size chart (16:9 aspect ratio)

Screen		Distance from screen (L)				Height projected image (Hd)					
Diagonal Size		Width (W)		Height (H)		Shortest (Wide)		Longest (Tele)		Height projected image (Hd)	
inch	cm	inch	cm	inch	cm	inch	m	inch	m	inch	cm
40	102	35	89	20	50	66	1.7	73	1.9	6	15
60	152	52	133	29	75	99	2.5	109	2.8	9	22
80	203	70	177	39	100	132	3.4	146	3.7	12	30
100	254	87	221	49	125	166	4.2	182	4.6	15	37
150	381	131	332	74	187	248	6.3	273	6.9	22	56
200	508	174	443	98	249	331	8.4	364	9.3	29	75
250	635	218	553	123	311	414	10.5	455	11.6	37	93
275	699	240	609	135	342	455	11.6	-	-	40	103

The above numbers are approximate, and may be slightly different from the actual measurements.

Dimensions



KYOTO WORKS : 1 ZUSHO BABA, NAGAOKAKYO-CITY, KYOTO 617-8550, JAPAN

Global.MitsubishiElectric.com/projectors/

MITSUBISHI DIGITAL ELECTRONICS AMERICA, INC.

Presentation Products Division
 www.mitsubishi-presentations.com

MITSUBISHI ELECTRIC SALES CANADA, INC.

Display & Imaging Solutions Division
 www.mitsubishielectric.ca