

NP310/NP410/NP510 Installation Guide

Ceiling Mounted and Desktop

Rev 1.0

Contents

Product Description, Lens Specs, Notes and Formulas_____	Pg 1
Diagrams & Distance Charts_____	Pg 2
Cabinet Dimensions_____	Pg 3-4
Ceiling Mount Dimensions_____	Pg 5
Input Panel and Control Codes_____	Pg 6



Product Description

Type:	3 panel LCD projector, NP510: 0.63" p-Si TFT w/MLA NP310/410: 0.63" p-Si TFT	Dimensions: 12.1" (W) x 4.3" (H) x 10.4" (D) Weight: 6.6 lbs
Resolution:	1024 x 768	Brightness: NP310 - 2200 Lumens NP410 - 2600 Lumens NP510 - 3000 Lumens
Fan Noise:	35 dB / 29dB @ 1 meter	
Power Consumption: NP310/410/NP510	251W (max)	BTU's: 857 BTU/hour

Lens Specifications

Throw Ratio:	1.5 – 1.8:1 (for 100" diagonal)	Focal Length:	19.8mm – 23.7mm
Offset Angle:	8.0° - 9.6° (for 100" diagonal)	F/#:	1.7 - 2.0
Screen Sizes:	21" - 300" diagonal (4:3)		Manual Focus/Manual Zoom

Notes

- For screen sizes not indicated on the projection tables, use the formulas below. If the figures on the tables do not match the results of formulas, use the figures in the table.
- All calculations are based on a 4:3 aspect ratio.
- Distances are in inches, for millimeters multiply by 25.4.
- Distances may vary ±5%.

Formulas

The Projection Formulas use the image width for calculation. For proper projection placement, determine the image width for the desired screen size. Use the Screen Formulas below to calculate all screen dimensions. Plug in the width for "W" in the Projection Formulas.

Refer to the diagrams and charts for popular screen sizes on page 2:

Definitions:

W = Image Width
 H = Image Height (size)
 B = Vertical distance between lens center and screen center
 C = Throw distance
 D = Vertical distance between lens center and screen top
 (screen bottom for desktop application)

4:3 Screen Formulas:

W = H x 4/3
 H = W x 3/4
 Screen Diagonal = W x 5/4

Projection Formulas:

B = 0.258W
 C (wide) = 1.539W – 1.176
 C (tele) = 1.852W – 1.173
 D = 0.118W
 α (wide) = \tan^{-1} (B/C(wide))
 α (tele) = \tan^{-1} (B/C(tele))

NP310/NP410/NP510 Installation Guide

Ceiling Mounted and Desktop

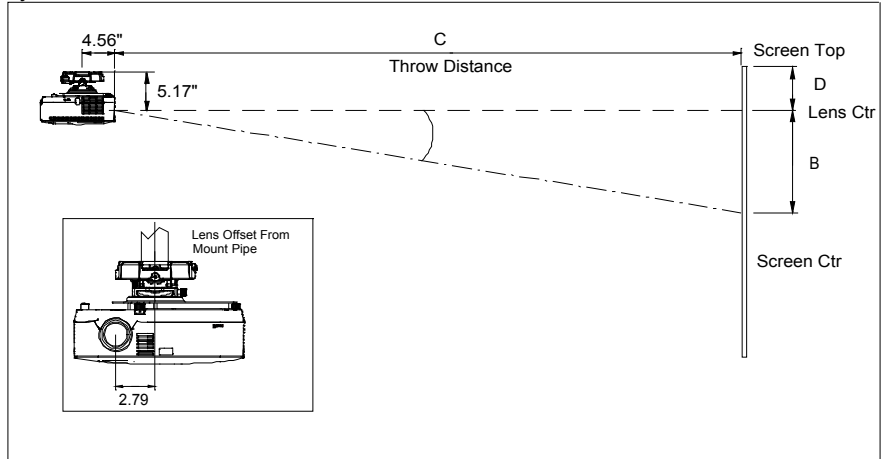
Rev 1.0

Diagrams and Distance Charts

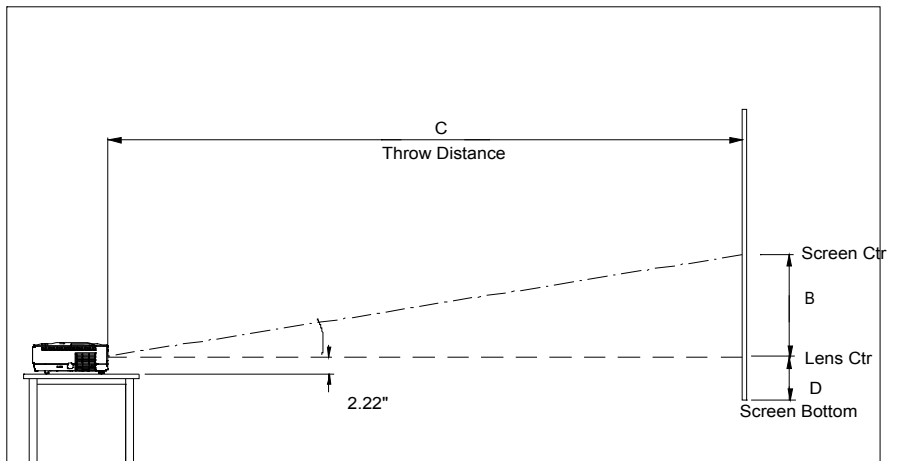
The following shows the proper relative positions of the projector and screen. Refer to the table to determine the position of installation.

Distances are in inches. For millimeters multiply by 25.4.

Ceiling Mounted



Desktop



Distance Chart for popular 4:3 screens

Screen Size (4:3)			B inches	C wide - tele inches		D inches	α wide - tele degrees	
Diagonal inches	Width(W) inches	Height (H) inches						
30	24	18	6	36	43	-3	9.9	8.2
60	48	36	12	73	88	-6	9.7	8.0
67	53.6	40.2	14	81	98	-6	9.7	8.0
72	57.6	43.2	15	87	105	-7	9.6	8.0
84	67.2	50.4	17	102	123	-8	9.6	8.0
90	72	54	19	110	132	-8	9.6	8.0
100	80	60	21	122	147	-9	9.6	8.0
120	96	72	25	147	176	-11	9.6	8.0
150	120	90	31	184	221	-14	9.5	8.0
180	144	108	37	220	265	-17	9.5	8.0
210	168	126	43	257	310	-20	9.5	7.9
240	192	144	50	294	354	-23	9.5	7.9
270	216	162	56	331	398	-25	9.5	7.9
300	240	180	62	368	443	-28	9.5	7.9

Note: For screen sizes not indicated on the projection tables, use the formulas on page 1.

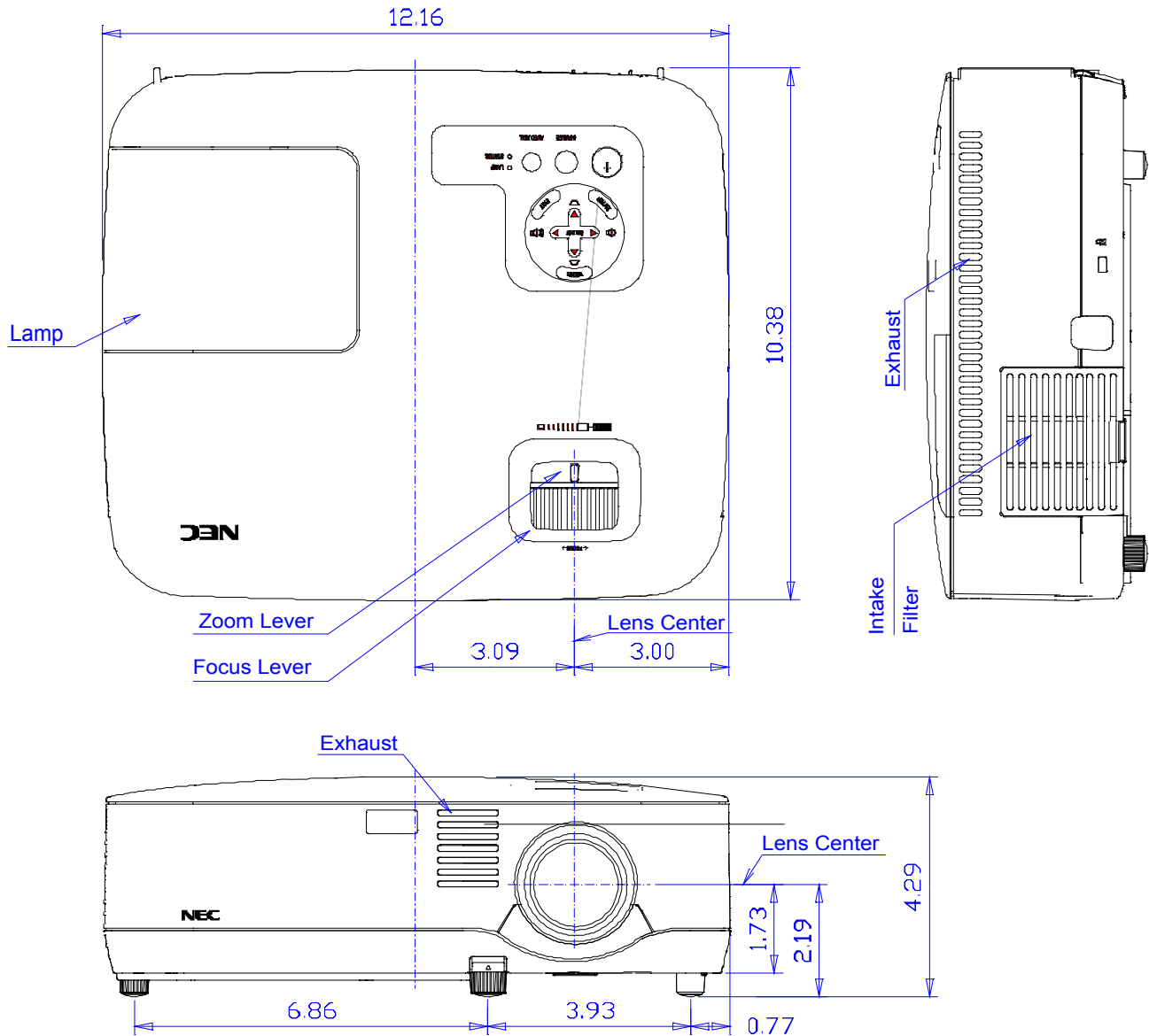
NP310/NP410/NP510 Installation Guide

Ceiling Mounted and Desktop

Rev 1.0

Cabinet Dimensions

The following drawings show the cabinet dimensions. Dimensions are in inches. For millimeters multiply by 25.4.



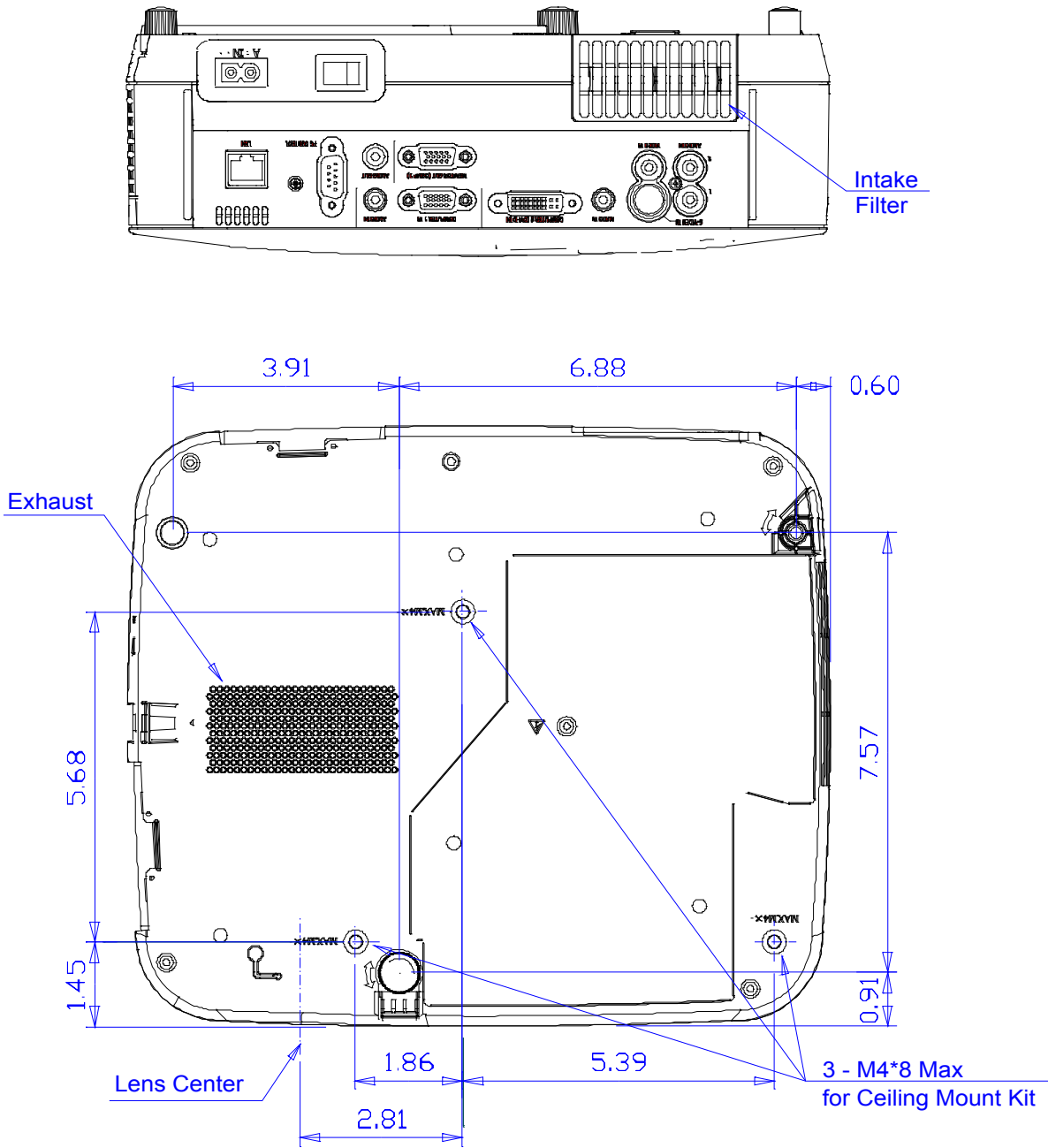
NP310/NP410/NP510 Installation Guide

Ceiling Mounted and Desktop

Rev 1.0

Cabinet Dimensions (continued)

The following drawings show the cabinet dimensions.
Dimensions are in inches. For millimeters multiply by 25.4.

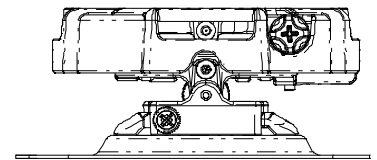
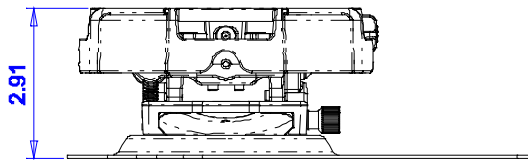
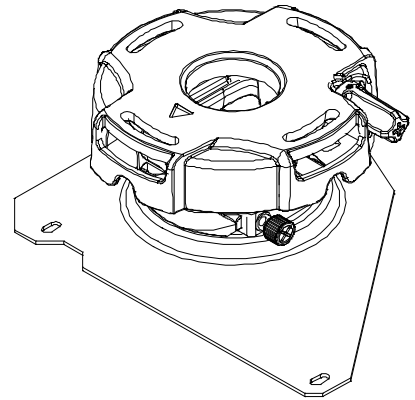
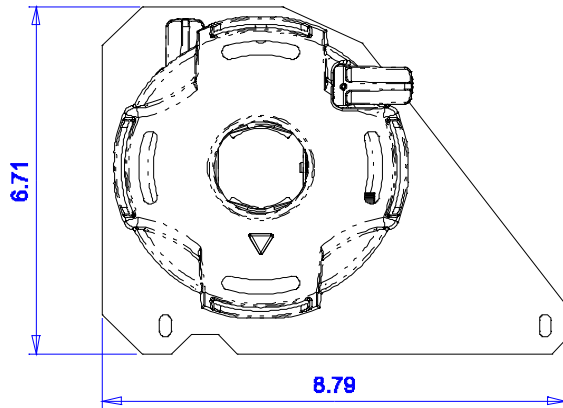


NP310/NP410/NP510 Installation Guide Ceiling Mounted and Desktop

Rev 1.0

Optional Ceiling Mount Dimensions (Model #: NP600CM)

The following drawings show the ceiling mount dimensions.
Dimensions are in inches. For millimeters multiply by 25.4.

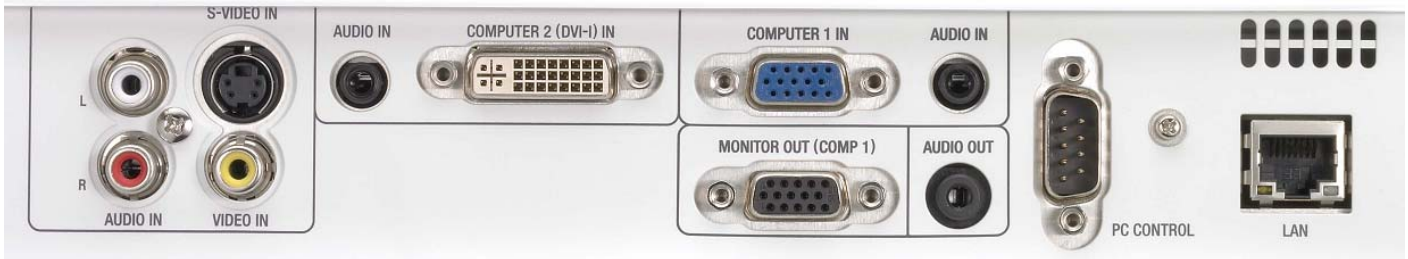


NP310/NP410/NP510 Installation Guide

Ceiling Mounted and Desktop

Rev 1.0

Input / Output Panel



PC Control Codes

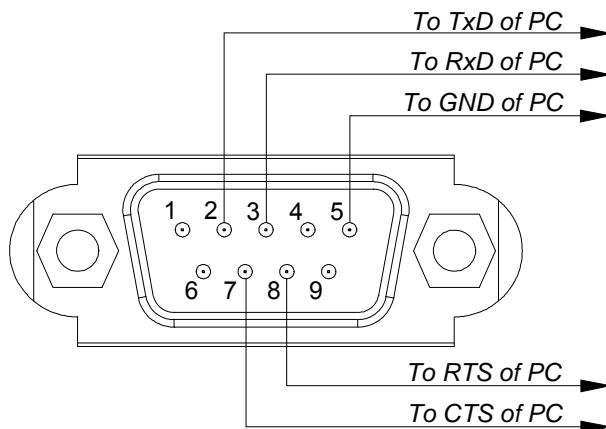
Function	Code Data
POWER ON	02H 00H 00H 00H 00H 02H
POWER OFF	02H 01H 00H 00H 00H 03H
INPUT SELECT COMPUTER	02H 03H 00H 00H 02H 01H 01H 09H
INPUT SELECT VIDEO	02H 03H 00H 00H 02H 01H 06H 0EH
INPUT SELECT S-VIDEO	02H 03H 00H 00H 02H 01H 0BH 13H
INPUT SELECT DVI (DIGITAL)	02H 03H 00H 00H 02H 01H 1AH 22H
INPUT SELECT DVI (ANALOG)	02H 03H 00H 00H 02H 01H 02H 0AH
PICTURE MUTE ON	02H 10H 00H 00H 00H 12H
PICTURE MUTE OFF	02H 11H 00H 00H 00H 13H
SOUND MUTE ON	02H 12H 00H 00H 00H 14H
SOUND MUTE OFF	02H 13H 00H 00H 00H 15H
PROJECTOR INFORMATION REQUEST	00H BFH 00H 00H 01H 02H C2H
ERROR STATUS REQUEST	00H 88H 00H 00H 00H 88H
INFORMATION REQUEST	03H 8AH 00H 00H 00H 8DH

Note: Contact your NEC rep for codes not listed.

Cable Connection

Communication Protocol:

Baud Rate: 38400 bps
 Data Length: 8 bits
 Parity: No Parity
 Stop Bit: One Bit
 X on/off: None
 Communications: Full duplex



PC Control Connector (D-Sub 9P)

NOTE 1 : Pins 1, 4, 6, and 9 are used inside the projector.

NOTE 2 : For long cable runs it is recommended to set communication speed within the projector to 9600 bps.

NOTE 3 : Jumper "Request to Send" and "Clear to Send" together on both ends of the cable to simplify cable connection.