

*Instruction Book For
Tensioned
Cosmopolitan Electrol*



The
POWER *In*
PRESENTATION PRODUCTS



DA-LITE SCREEN COMPANY, INC.

3100 North Detroit Street
Post Office Box 137
Warsaw, Indiana 46581-0137
Phone: 574/267-8101
800-622-3737
Fax: 574/267-7804
[http:// www.da-lite.com](http://www.da-lite.com)
e-mail: info@da-lite.com

IMPORTANT SAFETY INSTRUCTIONS

When using your video equipment, basic safety precautions should always be followed, including the following:

1. Read and understand all instructions before using.
2. Position the cord so that it will not be tripped over, pulled, or contact hot surfaces.
3. If an extension cord is necessary, a cord with a current rating at least equal to that of the appliance should be used. Cords rated for less amperage than the appliance may overheat.
4. To reduce the risk of electric shock, do not disassemble this appliance. Contact an authorized service dealer when repair work is required. Incorrect reassembly can cause electric shock when the appliance is used subsequently.
5. The use of an accessory attachment not recommended by the manufacturer may cause a risk of fire, electric shock, or injury to persons.

SAVE THESE INSTRUCTIONS

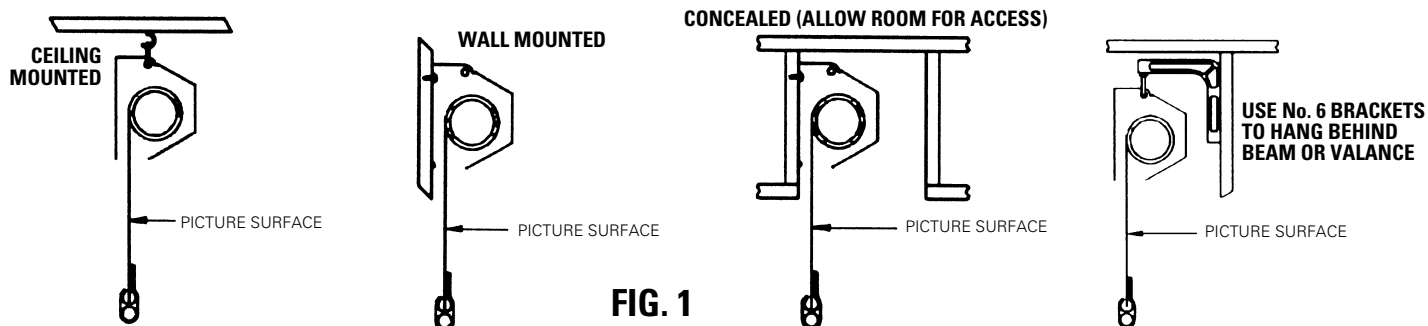
PRE-INSTALLATION

1. Carefully unpack screen and remove outer wrapping from case.
2. Remove shipping brackets by removing the screws from the slat bar and wooden board.
3. Always handle screen in upright position.

INSTALLATION

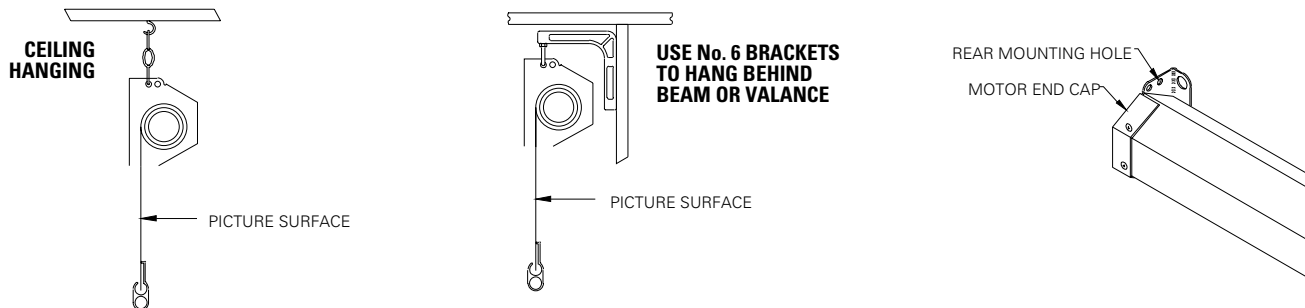
There are three methods of mounting to include:

Flush against wall; Suspended from ceiling (use extension brackets); and Recessed above ceiling.



SPECIAL MOUNTING INSTRUCTIONS FOR 180" & 200" DIAGONAL

When installing a 180" or 200" Diagonal screen by the means of the ceiling mounted or the extension bracket methods, use the rear-mounting hole in the motor end cap.



NOTE: Under no circumstances should unit be completely sealed in recessed installation. Allow access for service. Picture surface is centered in case. Case extends 5-1/2" beyond surface on either end. Do not attach anything to screen slat rod or bottom fabric pocket.

1. Make sure screen is level. Use a carpenter's level and plum level.

CAUTION! Do not cut wrapping paper or tape with knife or any sharp tool. Remove by hand.

2. Install electrical hook-up that applies to your unit. Make sure to review your Electrical Installation Checklists and Wiring Diagrams (included) for either 120 Volt Switch, 220/240 Volt Switch, or DRC Low Voltage Control.

NOTE: Screen must be wired to conform to local and national electrical codes.

SCREEN ADJUSTMENT

The screen surface travel is stopped automatically in the fully opened and closed positions by limit switches that are properly adjusted at Da-Lite. The screen should not be adjusted for more or less drop. The fabric cables are adjusted for proper vertical and lateral tension at Da-Lite.

Should the picture surface get out of adjustment and it be necessary to adjust picture surface drop, proceed in the following manner.

NOTE: Use a small flat screwdriver or allen wrench to make adjustments.

More Screen Drop

1. Place operating switch in the "Down" position.
2. When the screen stops, turn the white "Down" limit knob (Fig. 3) one-quarter turn counter-clockwise. Test by raising picture surface approximately two feet, then lower again. Repeat until desired picture surface position is attained.

Less Screen Drop

1. Raise picture surface approximately two feet above desired level.
2. Place the operating switch in "Off" position.
3. Turn the white "Down" limit knob one-quarter turn clockwise. Test by raising picture surface approximately two feet, then lower again. Repeat until desired picture surface is attained.

NOTE: The yellow "Up" adjusting knob is located at motor end and is accessible through the fabric opening.
The white "Down" adjusting knob is located at motor end and is accessible through the fabric opening.

CAUTION! When adjusting and testing, be prepared to stop screen quickly as serious damage may occur.

NOTE: The yellow "Up" adjustment knob controls where fabric stops in the case. Do not adjust bottom slat to come in contact with the fabric on roller.

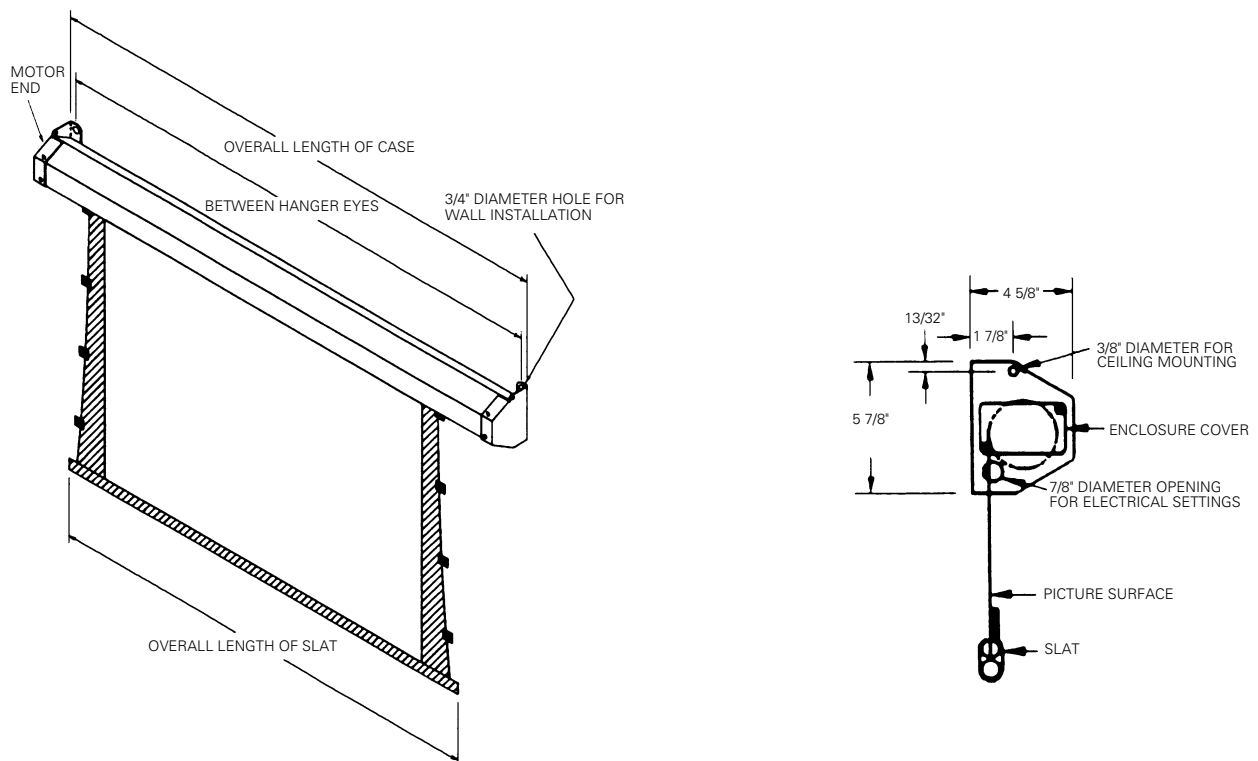


FIG. 2

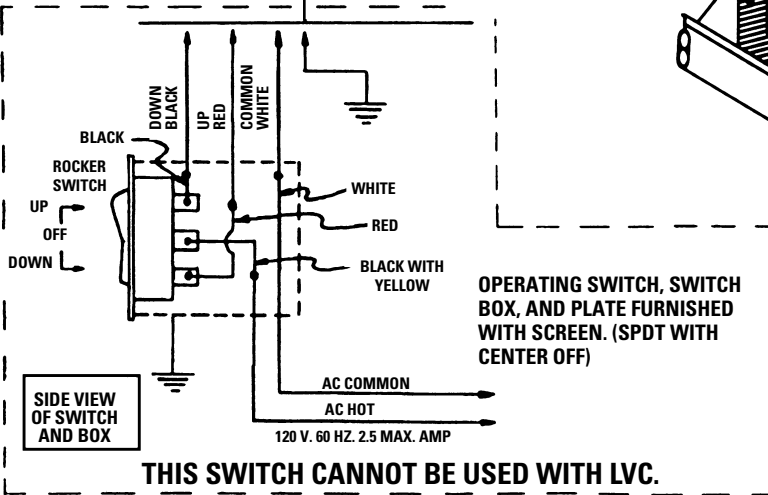
TENSIONED COSMOPOLITAN ELECTROL INSTALLATION

120V WIRING DIAGRAM



TO JUNCTION BOX, MOUNTED IN SCREEN CASE, IN WHICH INTERNAL WIRING TERMINATES IN WHITE, BLACK AND RED LEADS

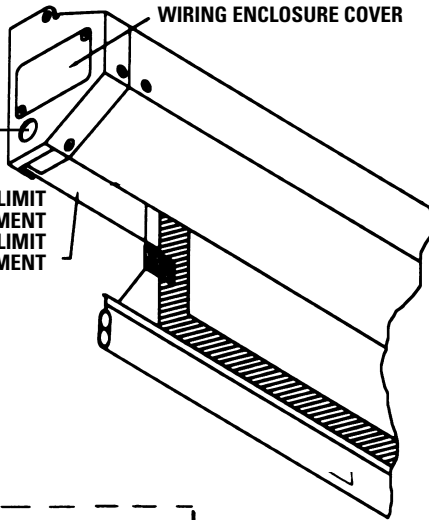
UP YELLOW LIMIT SWITCH ADJUSTMENT AND DOWN WHITE LIMIT SWITCH ADJUSTMENT



THIS SWITCH CANNOT BE USED WITH L.V.C.

NOTE: A single switch cannot be used to operate more than one screen. Contact the factory for further information.

WIRING ENCLOSURE COVER



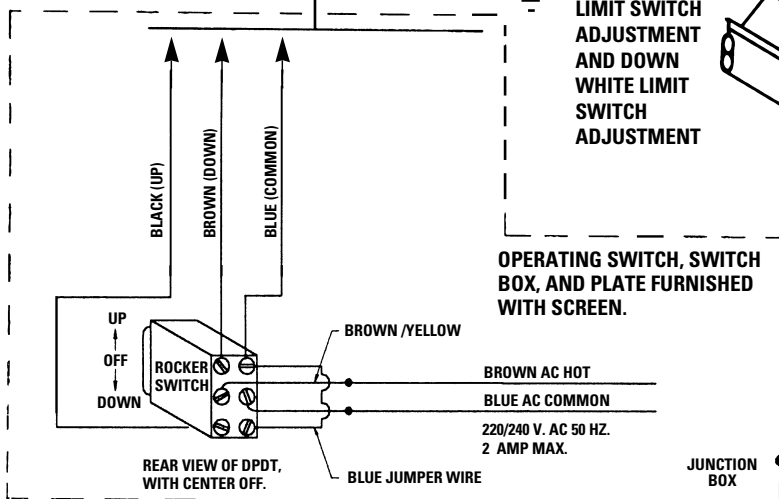
IN MULTIPLE CONTROL INSTALLATIONS THIS SWITCH IS REPLACED BY THE LOW VOLTAGE CONTROL, OPERATED FROM PUSH BUTTON STATIONS.

FIGURE 3

220 / 240V WIRING DIAGRAM

TO JUNCTION BOX, MOUNTED IN SCREEN CASE, IN WHICH INTERNAL WIRING TERMINATES IN BLUE, BROWN AND BLACK LEADS

UP YELLOW LIMIT SWITCH ADJUSTMENT AND DOWN WHITE LIMIT SWITCH ADJUSTMENT



OPERATING SWITCH, SWITCH BOX, AND PLATE FURNISHED WITH SCREEN.

NOTE: MUST BE WIRED TO CONFORM TO LOCAL WIRING CODE. THIS SWITCH CANNOT BE USED WITH L.V.C.

IN MULTIPLE CONTROL INSTALLATIONS THIS SWITCH IS REPLACED BY THE LOW VOLTAGE CONTROL, OPERATED FROM PUSH BUTTON STATIONS.

NOTE: A single switch cannot be used to operate more than one screen. Contact the factory for further information.

WIRING ENCLOSURE COVER

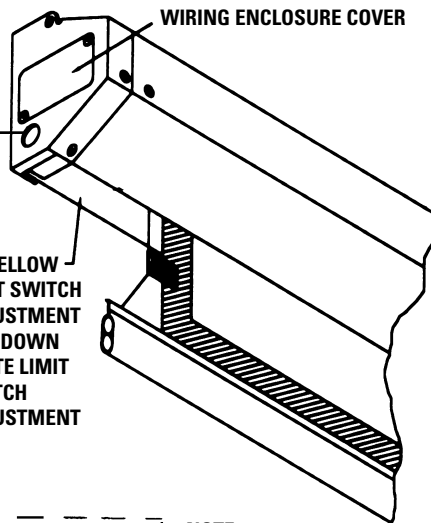


FIGURE 3

TROUBLESHOOTING

SYMPTOM	CAUSE	SOLUTION
<p>1. Screen will not operate or will not go "down".</p> <p>Motor does not hum.</p> <p>Motor hums.</p>	<p>(a) Blown fuse.</p> <p>(b) Tripped power supply circuit breaker.</p> <p>(c) No power to operating switch or junction.</p> <p>Power at junction box.</p> <p>(d) Thermal overload tripped.</p> <p>(e) Broken wire in the "down" position.</p> <p>(f) Defective motor.</p> <p>(g) Temporary binding.</p> <p>(h) Motor burned out.</p>	<p>(a) Replace fuse.</p> <p>(b) Reset circuit breaker.</p> <p>(c) Check above. Tighten all loose wire connections. Correct any improper connections.</p> <p>"Down" Position Check for power across black and white leads.</p> <p>(d) Let motor cool down for 15 minutes. Try again.</p> <p>(e) Check for continuity. Cut off old splice and reconnect.</p> <p>(f) Replace motor assembly. NOTE: Motor is a sealed assembly.</p> <p>(g) With power OFF, turn roller by hand to free binding.</p> <p>(h) Replace motor assembly.</p>
<p>2. Screen will not move "up".</p> <p>Motor does not hum.</p> <p>Motor hums.</p>	<p>(a) Blown fuse.</p> <p>(b) Tripped power supply circuit breaker.</p> <p>(c) No power to operating switch or junction.</p> <p>Power at junction box.</p> <p>(d) Thermal overload tripped.</p> <p>(e) Broken wire in the "up" position.</p> <p>(f) Defective motor.</p> <p>(g) Temporary binding.</p> <p>(h) Motor burned out.</p>	<p>(a) Replace fuse.</p> <p>(b) Reset circuit breaker.</p> <p>(c) Check above. Tighten all loose wire connections. Correct any improper connections.</p> <p>"Up" Position Check for power across red and white leads.</p> <p>(d) Let motor cool down for 15 minutes. Try again.</p> <p>(e) Check for continuity. Cut off old splice and reconnect.</p> <p>(f) Replace motor assembly. NOTE: Motor is a sealed assembly.</p> <p>(g) With power "off", turn roller by hand to free binding.</p> <p>(h) Replace motor assembly.</p>
<p>3. Incorrect stopping position in downward direction.</p>	<p>(a) "Down" limit switch out of adjustment.</p>	<p>(a) See installation instructions.</p>
<p>4. Incorrect stopping position in upward direction.</p>	<p>(a) "Up" limit switch out of adjustment.</p>	<p>(a) Adjust "up" limit switch. Turn clockwise to expose more fabric. See installation instructions.</p>
<p>5. Noise</p>	<p>(a) Squeaking, rubber end rubbing on motor.</p> <p>(b) Grinding due to foreign object in screen rubbing on roller or fabric.</p> <p>(c) Gear noise.</p>	<p>(a) Adjust roller to center of case.</p> <p>(b) Remove foreign object.</p> <p>(c) Replace motor assembly.</p>
<p>6. Coasting.</p>	<p>(a) Defective brake.</p>	<p>(a) Replace motor assembly.</p>
<p>7. Roller displaced from mounting bracket.</p>	<p>(a) Pin end slipped out of nylon bearing.</p>	<p>(a) Remove pin end mounting. Realign motor in tube. Re-attach pin end.</p>

