



ADVANTAGE DELUXE ELECTROL®

Automatic Electric Projection Screen

DA-LITE SCREEN COMPANY, INC.
3100 North Detroit Street
Post Office Box 137
Warsaw, Indiana 46581-0137
Phone: 574/267-8101
800-622-3737
Fax: 574/267-7804
http://www.da-lite.com
e-mail: info@da-lite.com

SPECIFICATION DATA

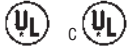
SUGGESTED SPECIFICATIONS: _____ projection screens, _____ (H) x _____ (W), size. The Advantage Deluxe Screen shall have two motors, one to operate door and one to operate screen. Door motor electrically operated 120 volt (60 Hz) 1.4 amp. Shall have specially designed motor mounted inside the roller, to be three wire with ground, quick reversal type, oiled for life, with automatic thermal overload cutout, integral gears, capacitor and an electric brake to prevent coasting. To have pre-set but adjustable limit switches to automatically stop fabric door in the "up" and "down" positions. The roller to be of rigid aluminum, 1-1/2" in diameter. Screen motor is electrically operated 120 volt (60 Hz) 1.4 amp. Shall have specially designed motor mounted inside the roller with a noise silencer to be three wire quick reversal type, oiled for life, with automatic thermal overload cutout, integral gears, capacitor and an electric brake to prevent coasting. To have pre-set but adjustable limit switches to automatically stop picture surface in the "up" and "down" positions. The roller to be of rigid metal, 3" in diameter. Screen fabric to be flame retardant and mildew resistant fiberglass with Glass Beaded, Matte White, High Contrast Matte White, High Power or Video Spectra® 1.5 with black masking borders standard. Bottom of fabric shall be formed into a pocket holding a 3/8" metal rod. The ends of the rod shall be protected by heavy duty plastic caps. Case shall be an aluminum extrusion. Bottom of case to be self-trimming with a built-in flange around the bottom of the case. Case to be powder coated white. Steel brackets bolted to the ends of case for ceiling mounting. A section of the bottom of the case shall be an aluminum door equipped with hinges so that it opens and closes automatically with the lowering and raising of the picture surface. When the picture surface is being lowered, the door motor shall allow the door to drop open by gravity. When the picture surface gets to the top position, the door motor will pull the door to the closed position where a limit switch shall cut off the electrical current to the screen. The balance of the bottom of the case shall be a second hinged aluminum door with manual opening to provide access. Hinges shall be mounted in a concealed way. Doors shall be powder coated white. Junction box shall be integrated into the housing making it possible to install the housing and wire to the building's electrical system during construction. The junction box shall contain a five prong connector that is mounted in the housing for easy plug-in connection to the motorized fabric and roller assembly. The motorized fabric and roller assembly to be installed in the case at the factory or at a later time at the job site. To be complete with three position control switch in box with cover plate. Screen to be listed by Underwriters' Laboratories.

Matte White: Horizontal seams required when both dimensions exceed 10 feet.

Glass Beaded: Horizontal seams required when both dimensions exceed 8 feet.

Video Spectra® 1.5 and High Contrast Matte White: Available in sizes where both dimensions do not exceed 8 feet.

High Power: Available in sizes up to and including 9 feet by 12 feet. Horizontal seams required when both dimensions exceed 6 feet.



DIMENSIONS

Sizes		*Overall Length of Case		Approx. Ship. Wt.	
H x W	Cm	In.	Cm	Lbs.	Kg
50" x 50"	127 x 127	62-1/4"	159	71	32.21
60" x 60"	152 x 152	72-1/4"	184	81	36.74
70" x 70"	178 x 178	82-1/4"	210	92	41.73
84" x 84"	213 x 213	96-1/4"	245	107	48.54
6' x 8'	183 x 244	108-1/4"	276	111	50.35
8' x 8'	244 x 244	108-1/4"	276	117	53.07
7' x 9'	213 x 274	120-1/4"	306	122	55.34
9' x 9'	274 x 274	120-1/4"	306	130	58.97
8' x 10'	244 x 305	132-1/4"	337	142	64.41
10' x 10'	305 x 305	132-1/4"	337	170	77.11
9' x 12'	274 x 366	156-1/4"	398	180	81.65
12' x 12'	366 x 366	156-1/4"	398	200	90.72

VIDEO FORMAT DIMENSIONS

Viewing Area		Nominal Diagonal		*Overall Length of Case		Approx. Ship. Wt.	
H x W	Cm	In.	Cm	In.	Cm	Lbs.	Kg
43" x 57"	109 x 145	72"	183	72-1/4"	184	83	37.65
50" x 67"	127 x 170	84"	213	82-1/4"	210	93	42.18
57" x 77"	145 x 196	96"	244	96-1/4"	245	108	48.99
60" x 80"	152 x 203	100"	254	96-1/4"	245	108	48.99
69" x 92"	175 x 234	120"	305	108-1/4"	276	119	53.98
87" x 116"	221 x 295	150"	381	132-1/4"	337	144	65.32
105" x 140"	267 x 356	180"	457	156-1/4"	398	168	76.20
120" x 160"	305 x 406	200"	508	176-1/4"	441	188	85.28

HDTV FORMAT DIMENSIONS

Viewing Area		Nominal Diagonal		*Overall Length of Case		Approx. Ship. Wt.	
H x W	Cm	In.	Cm	In.	Cm	Lbs.	Kg
45" x 80"	114 x 203	92"	234	96-1/4"	245	108	48.99
52" x 92"	132 x 234	106"	269	108-1/4"	276	119	53.98
58" x 104"	147 x 264	119"	302	120-1/4"	306	122	55.34
65" x 116"	165 x 295	133"	338	132-1/4"	337	144	65.32
78" x 139"	201 x 353	159"	404	156-1/4"	398	188	85.28

*NOTE: Add 1-7/8" to overall length of case for mounting brackets.
ALL SIZES: Case width 8", case height 7-1/4".
Electrical junction box extends 2-1/8" past case length on left end of case (1-1/8" past mounting flange).
Overall case length dimensions ± 1/4".

Detail dimensional drawings, wiring diagrams and installation instructions available upon request.
Specifications subject to change without notice.
NOTE: High Power available in sizes up to 9' x 12'. Letterbox formats available upon request.

WHEN ORDERING, MAKE APPROPRIATE SELECTIONS:

Select size from charts on the other side.

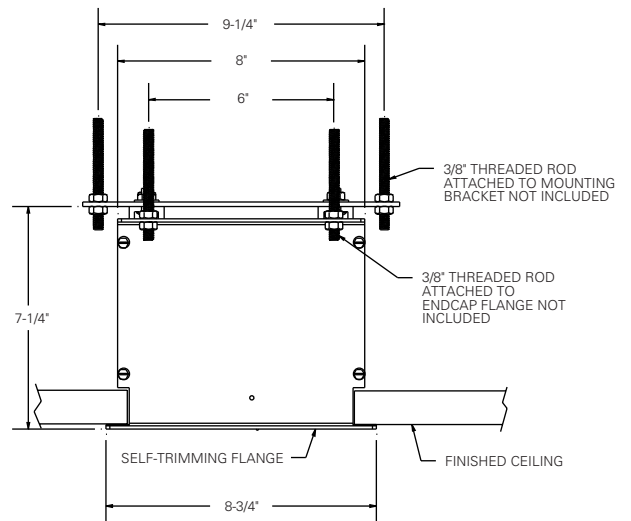
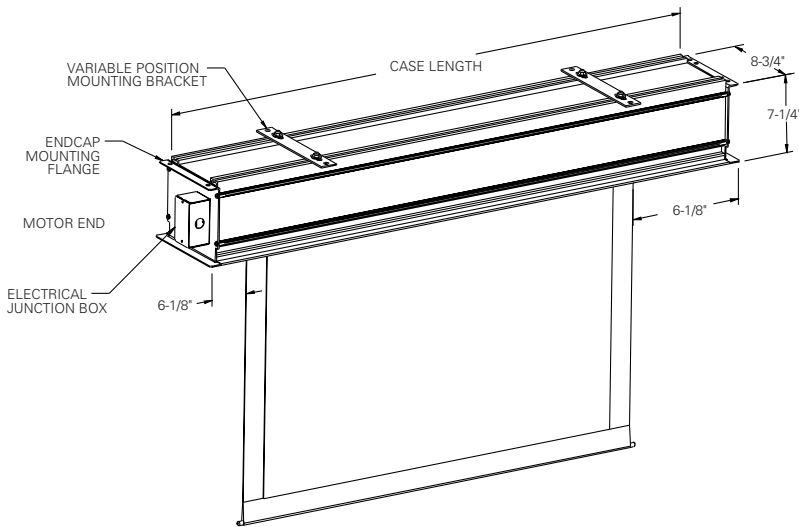
Select viewing surface:

- Matte White High Contrast Matte White Glass Beaded
- Video Spectra® 1.5 High Power

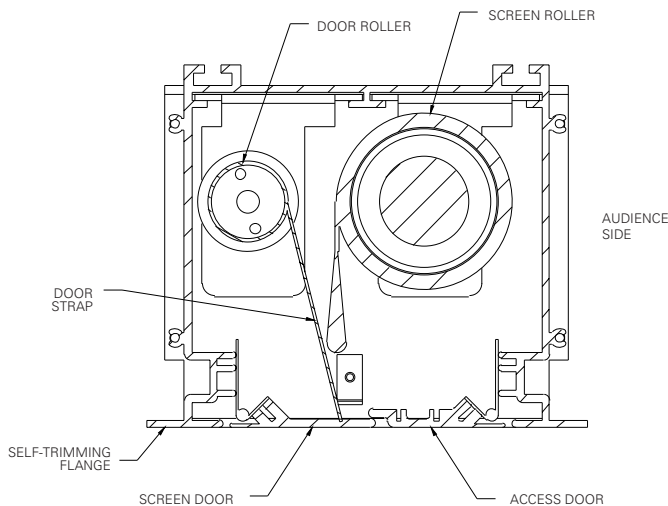
Optional Accessories:

- Black "Extra Drop" to lower picture area more than normal. Maximum total drop 13' (396 Cm) including picture area. Length of extra drop required ____ Top ____ or Bottom ____ of screen.
- White "Extra Drop" to lower picture area more than normal. Maximum total drop 13' (396 Cm) including picture area. Length of extra drop required ____ Top ____ or Bottom ____ of screen.
- No borders (Black masking borders standard).
- Single motor low voltage control, 3 button with one (1) Switch. Available separately or built-in with screen.
 - Radio Frequency Wireless Remote Control for LVC System.
 - Infrared Wireless Remote Control Unit for LVC System.
- Key Locking Cover Plate for 120 V Switch or LVC.
- Key Operated Switch for 120 V only (NOTE: Cannot be used with low voltage system).
- 220/240 Volt (50 Hz) Motor.
- Video Projector Interface - 12 V or 5 V.
- SCB-100 RS-232 Serial Control Board
 - NET-100 Ethernet-Serial Adapter
 - MNC-100 Master Network Controller Software

ADVANTAGE DELUXE ELECTROL®



SUGGESTED CEILING INSTALLATION



Project:	_____
Architect:	_____
Phone:	_____
Contractor:	_____
Phone:	_____
Supervisor:	_____
Phone:	_____
Supplier:	_____
Date:	_____
Revised:	_____